

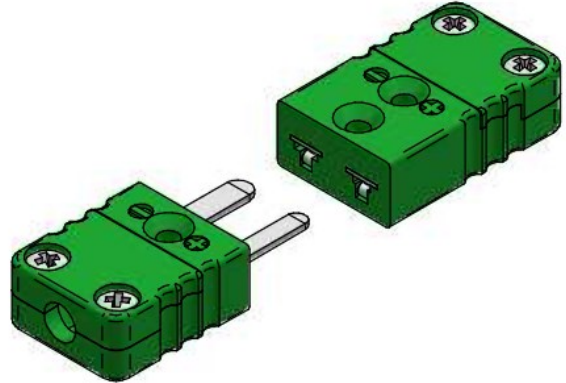
MINIATURE THERMOCOUPLE OR RTD CONNECTOR

OVERVIEW

Connector for thermocouples and RTD circuits. Suited for small wires and mineral insulated cables.

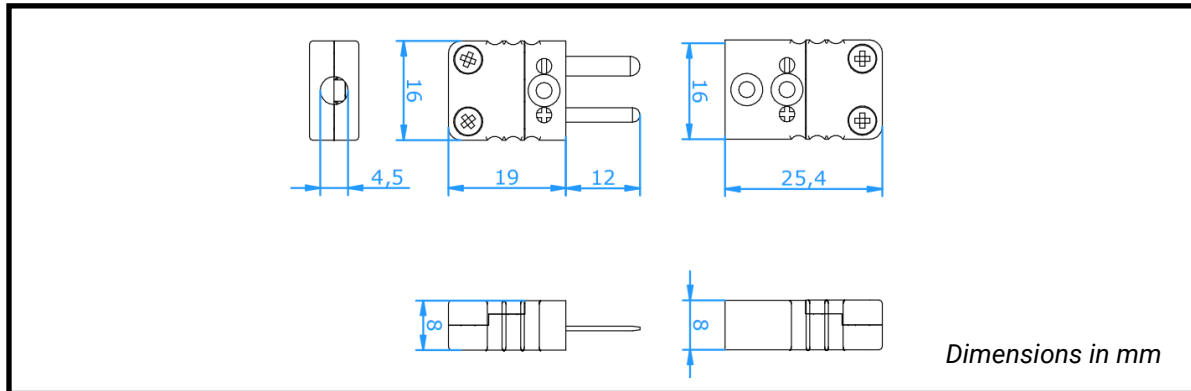
FEATURES

- Glass filled high quality thermoplastic body with original thermocouple material pins and spring loaded inserts
- Polarized pins ensure proper connection
- Easy wire connection through sandwich construction
- Molded barriers prevent short circuit
- Rugged one body design
- Stainless Steel screws with Phillips head



SPECIFICATIONS

- Accepts Wire diameter up to 0.6 mm (0.023")
- Maximum Cable diameter 4.5 mm (0.18")
- Temperature Rated to 220°C Max (428°F)



ORDERING INFORMATION

Model	Gender	Size	Type, Material, ANSI Color Code
CON	- □ □	- MINI	- □
	FJ Female Jack MP Male Plug		E NiCr/CuNi Violet J Fe/CuNi Black K NiCr/NiAl Yellow N NiCrSi/NiSi Orange T Cu/CuNi Blue U Cu/Cu White

ORDERING EXAMPLE

CON-MP-MINI-K: Miniature Thermocouple Connector, Male Plug, Type K



