

ILPS-27L SERIES LINEAR VARIABLE INDUCTIVE POSITION SENSOR

Rugged Frictionless LVIT Linear Position Sensor

FEATURES

- Sensing element is wear-free
- Excellent stroke-to-length ratio
- Stroke lengths from 200 to 450 mm (8 to 18 inches)
- 27 mm (1.05 inch) diameter housing sealed to IP67
- A more robust alternative to Linear Potentiometers

APPLICATIONS

- Packaging Machinery
- Industrial Test Stands
- Mobile Hydraulics



OVERVIEW

Harold G. Schaevitz Industries (HGSi) series Linear Variable Inductive Transducer (LVIT) Position Sensor with Rod End Joints are used to monitor and track the linear motion or position of a target. These ruggedized sensors are ideal for use in industrial applications including automotive R&D, motorsports, factory automation, power generation, agricultural vehicles, military and aerospace.

The inductive coil and spoiler combination is a contactless solution, eliminating the wear and dithering issues commonly experienced with Potentiometer type sensors. The amplifier electronics are contained within the housing, no need for an external signal conditioner.

The ILPS-27L series sensor is made from industrial duty materials for resistance to dust, water, temperature, shock, and vibration.

The SenSet Field Programmability feature allows for quick and easy recalibration of the units' zero and full scale electrical output.

SPECIFICATIONS

Analog I/Os:	0 to 3 VDC output	(5 to 30 VDC power, ≤ 35 mA)
	0.5 to 4.5 VDC output	(8 to 30 VDC power, ≤ 35 mA)
	0 to 5 VDC output	(8 to 30 VDC power, ≤ 35 mA)
	0 to 10 VDC output	(12 to 30 VDC power, ≤ 35 mA)
	4 to 20 mA output	(18 to 30 VDC power, ≤ 60 mA)

Linearity Error:	+/- 0.15% of FSO typical, +/- 0.25% FSO max
Resolution:	0.025% of FS
Repeatability:	0.025% of FS
Bandwidth:	300 Hz update rate (nominal)

Pretravel:	3 mm (0.120") (nominal)
Overtravel:	3 mm (0.120") (nominal)

Operating Temperature:	Voltage Output: -40 to +105°C (-40 to +220°F) Current Output: -20 to +75°C (-5 to +167°F)
-------------------------------	--

Temperature Coefficient:	$\leq \pm 0.015\%$ of FS / °C
---------------------------------	-------------------------------

Life Expectancy:	> 100 million cycles
Integral Cable Temp Rating:	-40 to +85°C (-40 to +185°F)
Shock Rating:	1000g, 11 ms
Vibration Rating:	5 to 20 Hz, 0.5 inch p-p; 20 to 2000 Hz, 4.2 g p-p
IP Rating:	IEC IP67

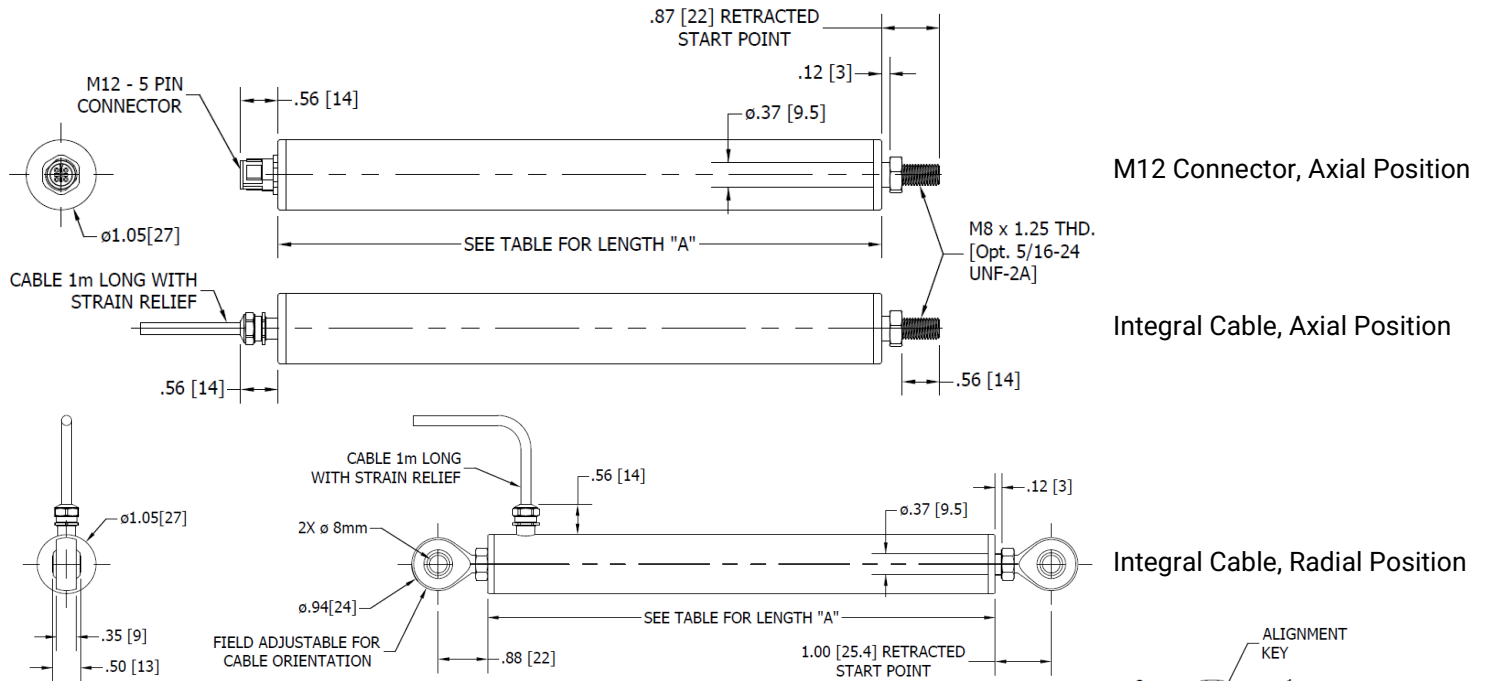
Country of Manufacture:	Made in the USA
--------------------------------	-----------------



LINEAR POSITION SENSOR

ILPS-27L SERIES LINEAR VARIABLE INDUCTIVE POSITION SENSOR

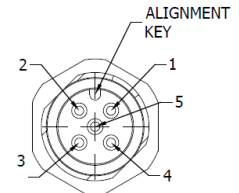
Rugged Frictionless LVIT Linear Position Sensor



M12 Connector, Axial Position

Integral Cable, Axial Position

Integral Cable, Radial Position



DIMENSIONS

Measuring Range	Length 'A'	Housing O.D.
8.0 inches [200 mm]	11.50 inches [292.1 mm]	1.05 inches [27.0 mm]
10.0 inches [250 mm]	13.50 inches [342.9 mm]	1.05 inches [27.0 mm]
12.0 inches [300 mm]	15.50 inches [393.7 mm]	1.05 inches [27.0 mm]
14.0 inches [350 mm]	17.50 inches [444.5 mm]	1.05 inches [27.0 mm]
16.0 inches [400 mm]	19.50 inches [495.3 mm]	1.05 inches [27.0 mm]
18.0 inches [450 mm]	21.50 inches [546.1 mm]	1.05 inches [27.0 mm]

WIRING PIN OUT

	M12 Connector	Integral Cable
DC Power In	Pin #1	Red
Ground	Pin #2	Black
Output (Voltage)	Pin #3	Green
Output (Current)	Pin #4	Green
SenSet (Calibration)	Pin #5	White

ORDERING INFORMATION

Model	Range	Position	Termination	Output	Housing
ILPS-27L	- □ □ □	- □	- □ □	- □ □	- □
	200 200 mm [8 inch] 250 250 mm [10 inch] 300 300 mm [12 inch] 350 350 mm [14 inch] 400 400 mm [16 inch] 450 450 mm [18 inch]	A Axial R Radial	00 Cable, 1 m 01 M12 Connector* * Axial position only	03 0 to 3 VDC 05 0.5 to 4.5 VDC 10 0 to 10 VDC 20 4 to 20 mA 50 0 to 5 VDC	A Aluminum S Stainless Steel

ORDERING EXAMPLE

ILPS-27L-250-A-00-50-A: 0 to 250 mm Range, 1 m Axial Cable, 0 to 5 VDC Output, Aluminum Housing

