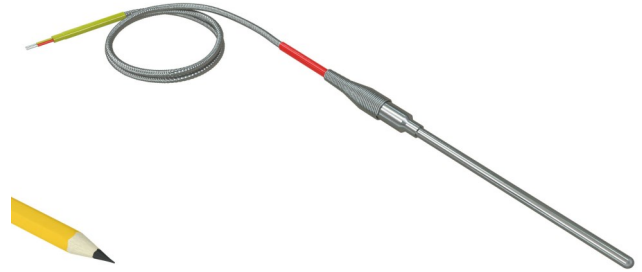


TRANSITION JOINT THERMOCOUPLE - STRAIGHT SHEATH

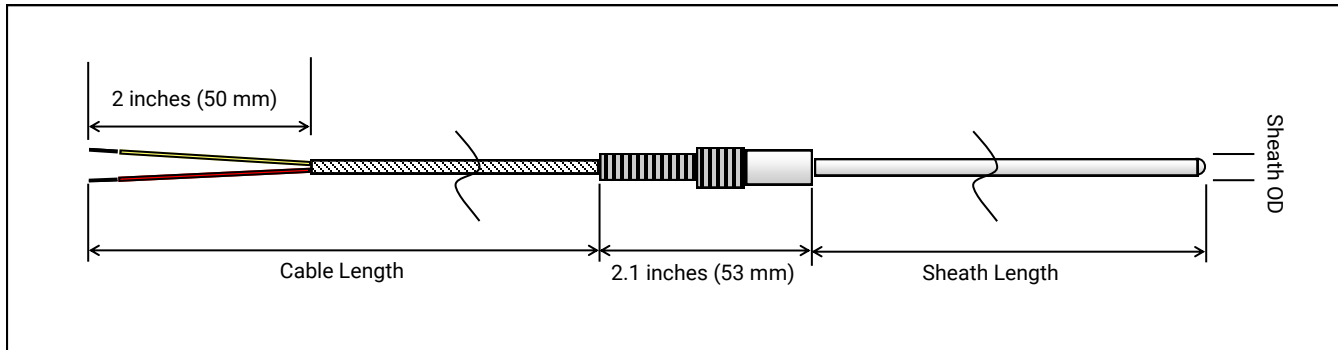
Ruggedized Temperature Probe

FEATURES

- Made with special limits of error materials
- MgO mineral insulated sheath
- Cable transition joint with spring strain relief
- Designed for industrial applications
- Made in USA



OUTLINE DRAWING



ORDERING INFORMATION

	Type	Sheath OD	Sheath Material	Sheath Length	Measuring Junction
TTJ0-	<input type="checkbox"/>	<input type="checkbox"/> <input type="checkbox"/> <input type="checkbox"/>	<input type="checkbox"/>	<input type="checkbox"/> <input type="checkbox"/> <input type="checkbox"/>	<input type="checkbox"/>
	E = E J = J K = K T = T	062 = 1/16" 125 = 1/8" 187 = 3/16" 250 = 1/4" 375 = 3/8"	A = Inconel 600 B = 304 SS C = 310 SS D = 316 SS E = Hastelloy C-276	(in inches) Example: 040 = 4.0 inches	E = Exposed G = Enclosed Grounded U = Enclosed Ungrounded

ORDERING INFORMATION CONTINUED

Cable Length	Cable Insulation	Cable Termination
<input type="checkbox"/> <input type="checkbox"/> <input type="checkbox"/>	<input type="checkbox"/>	<input type="checkbox"/>
(in inches) Example: 072 = 72 inches	A = FEP B = FEP with Stainless Steel Over Braid C = PFA D = PVC E = Fiberglass (rated to 900°F) F = High Temperature Fiberglass (rated to 1200°F) G = Kapton	0 = Bare Ends 1 = Mini Jack 2 = Mini Plug 3 = Standard Jack 4 = Standard Plug

ORDERING EXAMPLE

TTJ0-K187A040E072B0: Type K thermocouple, 3/16" OD, Inconel, 4" straight, exposed tip, 72 inch cable, FEP with SSOB, bare ends

