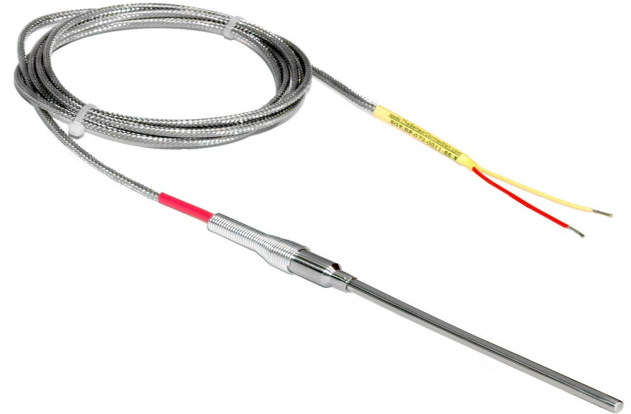


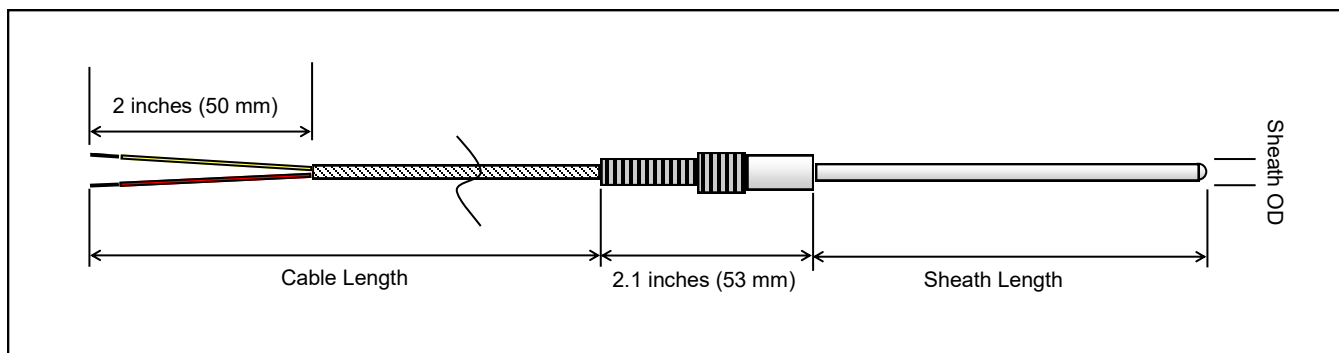
# Transition Joint Thermocouple - Straight Sheath

## Ruggedized Temperature Probe

- Made with special limits of error materials
- MgO mineral insulated sheath
- Cable transition joint with spring strain relief
- Designed for industrial applications
- Made in USA



## Outline Drawing



## Ordering Information

	Type	Sheath OD	Sheath Material	Sheath Length	Measuring Junction
<b>TTJ0-</b>	<input type="checkbox"/>	<input type="checkbox"/> <input type="checkbox"/> <input type="checkbox"/>	<input type="checkbox"/>	<input type="checkbox"/> <input type="checkbox"/> <input type="checkbox"/>	<input type="checkbox"/>
	<b>E</b> = E <b>J</b> = J <b>K</b> = K <b>T</b> = T	<b>062</b> = 1/16" <b>125</b> = 1/8" <b>187</b> = 3/16" <b>250</b> = 1/4" <b>375</b> = 3/8"	<b>A</b> = Inconel 600 <b>B</b> = 304 SS <b>C</b> = 310 SS <b>D</b> = 316 SS <b>E</b> = Hastelloy C-276	(in inches) Example: <b>040</b> = 4.0 inches	<b>E</b> = Exposed <b>G</b> = Enclosed Grounded <b>U</b> = Enclosed Ungrounded

## Ordering Information Continued...

Cable Length	Cable Insulation	Cable Termination
<input type="checkbox"/> <input type="checkbox"/> <input type="checkbox"/>	<input type="checkbox"/>	<input type="checkbox"/>
(in inches) Example: <b>072</b> = 72 inches	<b>A</b> = FEP <b>B</b> = FEP with Stainless Steel Over Braid <b>C</b> = PFA <b>D</b> = PVC <b>E</b> = Fiberglass (rated to 900°F) <b>F</b> = High Temperature Fiberglass (rated to 1200°F) <b>G</b> = Kapton	<b>0</b> = Bare Ends <b>1</b> = Mini Jack <b>2</b> = Mini Plug <b>3</b> = Standard Jack <b>4</b> = Standard Plug

## Ordering Example

**TTJ0-K187A040E072B0:** Type K thermocouple, 3/16" OD, Inconel, 4" straight, exposed tip, 72 inch cable, FEP with SSOB, bare ends