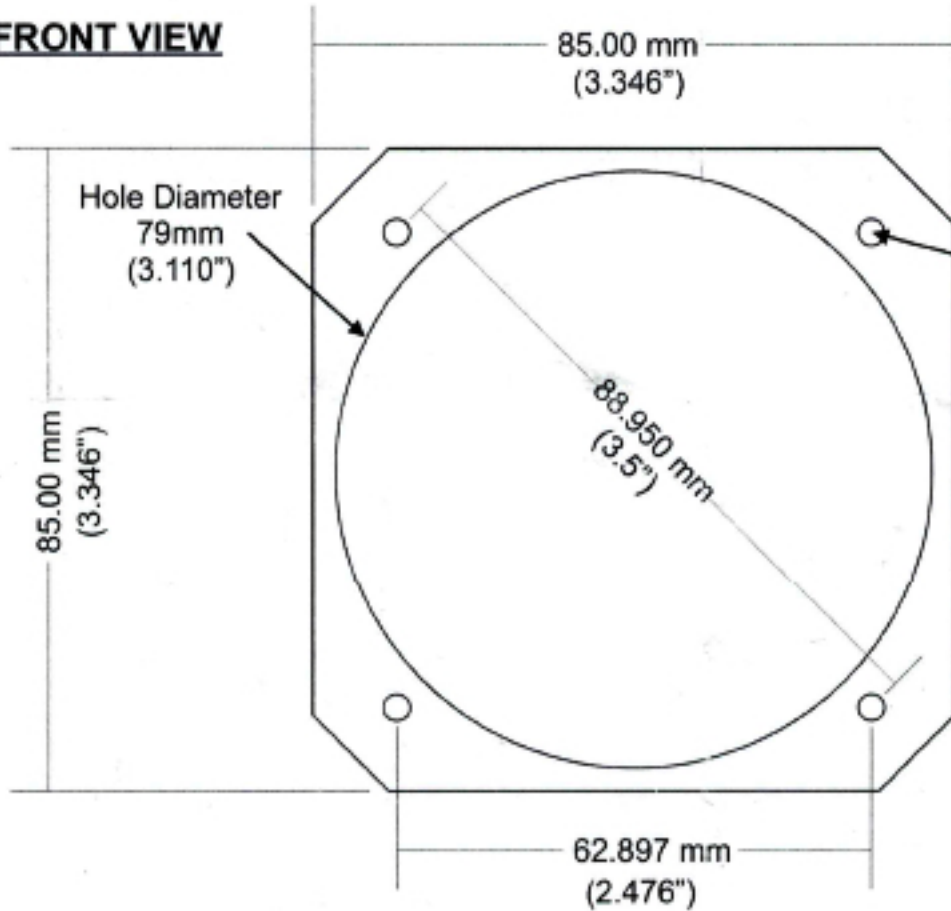


# MPG-12C 3.125" Template Drawing

## FRONT VIEW

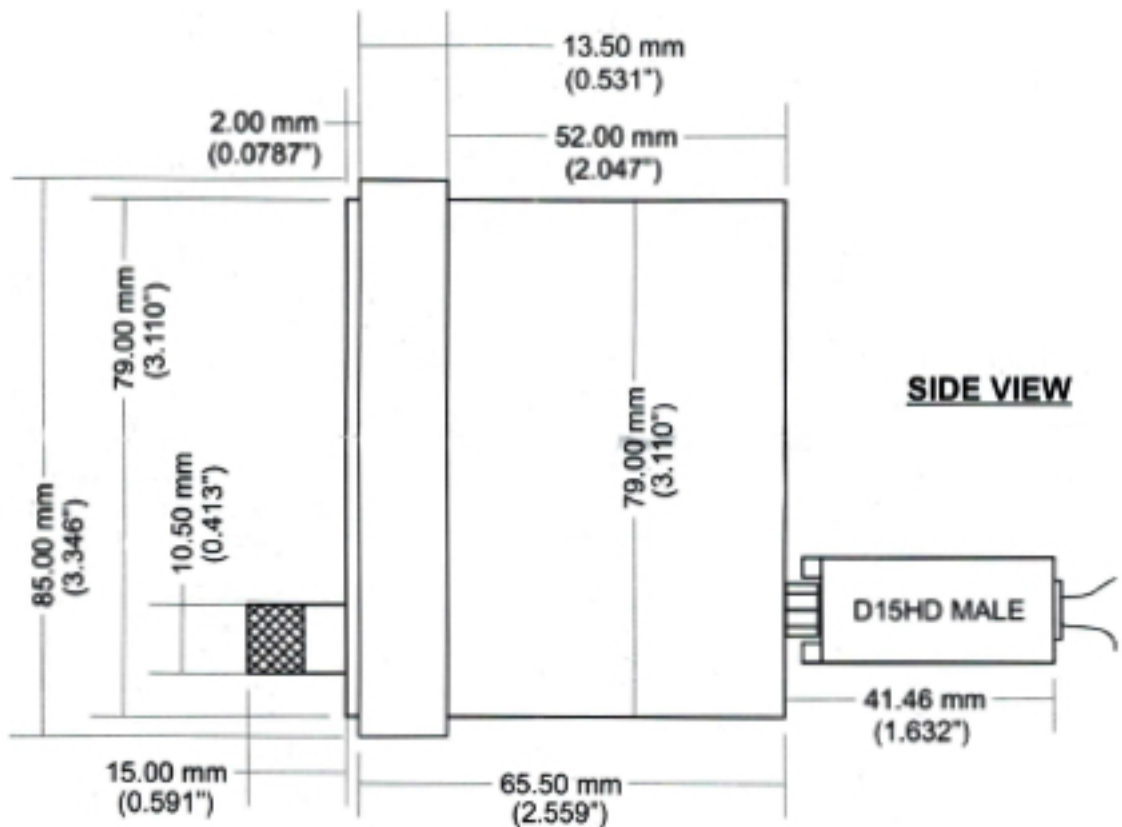


Hole Diameter 3.5mm (0.138")

**Note:**  
Actual hole must be cut slightly larger than 79mm (3.110").

Standard cutout is 3.125"

3mm (0.118") mounting screws recommended



## SIDE VIEW