

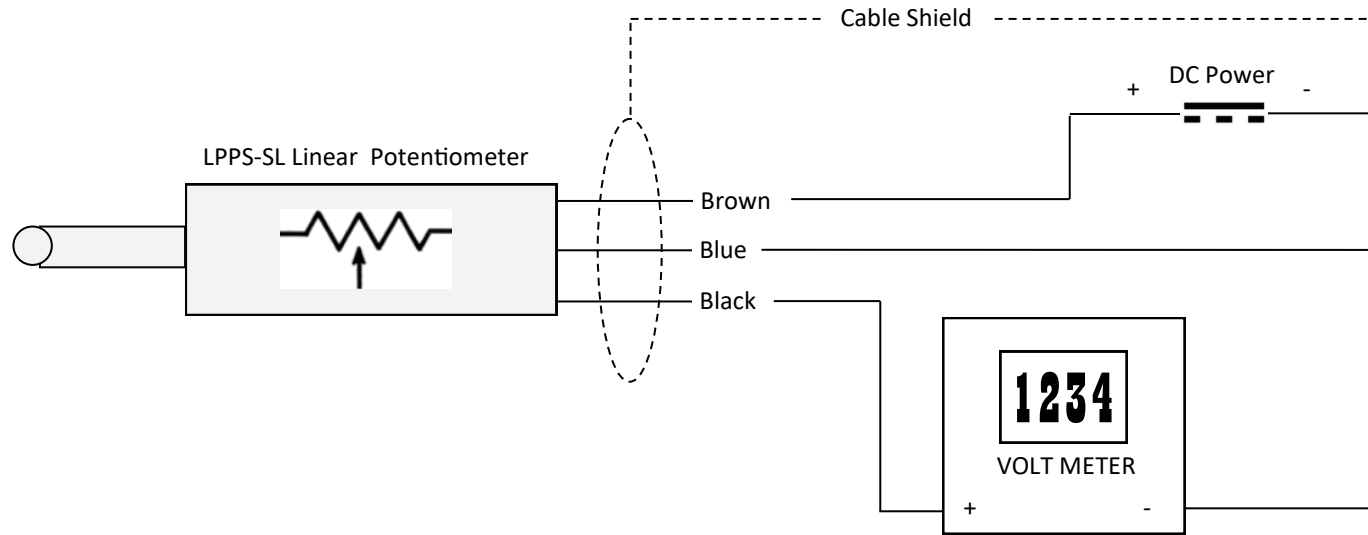
LPPS-SL Wiring Schematic Examples:

IMPORTANT !

DO NOT CONNECT THE BLACK WIRE TO POWER SUPPLY

THIS WILL CAUSE DAMAGE TO THE SENSOR

Example #1: Connecting to a Volt Meter



Example #2: Connecting to a model PMD1XT Series LED Panel Meter

