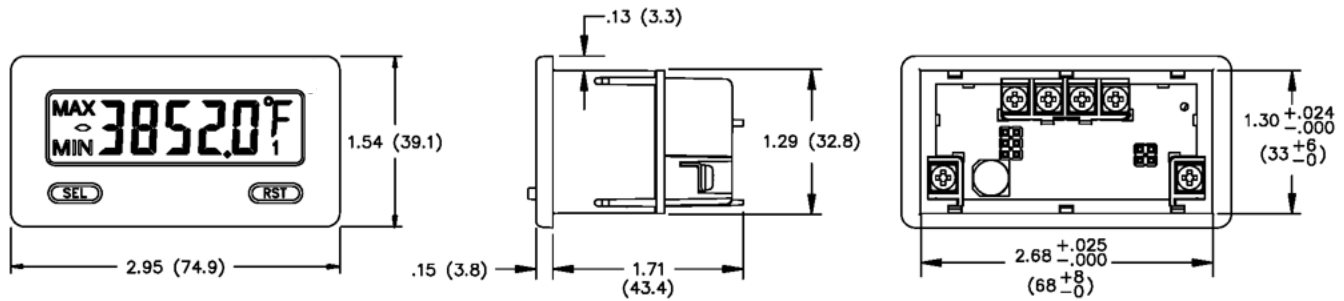


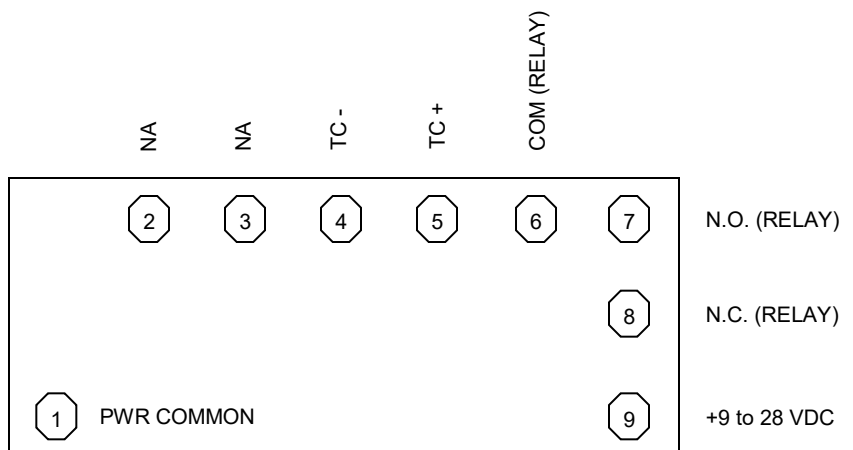
# PMDW-RLC5TCBB1 Outline Dimensions & Wiring Instructions

## Dimension Drawing



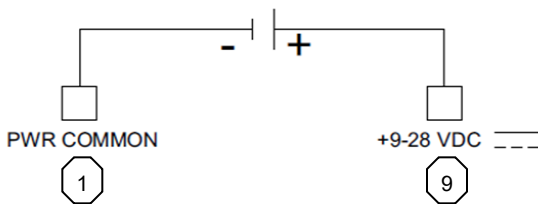
## Wiring Overview

- 1 Power Supply Common
- 2 NA (Not Used)
- 3 NA (Not Used)
- 4 TC Probe Input - (RED wire)
- 5 TC Probe Input + (YELLOW wire)
- 6 Relay Common
- 7 Relay (Normally CLOSED)
- 8 Relay (Normally OPEN)
- 9 Power Supply + (+9 to 28 VDC)

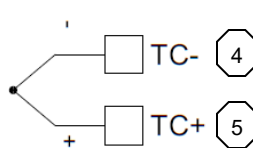


## Wiring the Meter

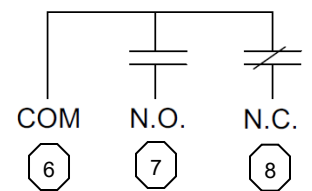
### Power Wiring



### Input Wiring



### Relay Wiring



Harold G. Schaevitz Industries LLC

### The Sensor Connection

42690 Woodward Avenue, Suite 200  
 Bloomfield Hills, MI 48304  
 Phone: 248-636-1515  
 Fax: 248-636-4969  
 Email: Sales@TheSensorConnection.com

### Buzzer Wiring

