

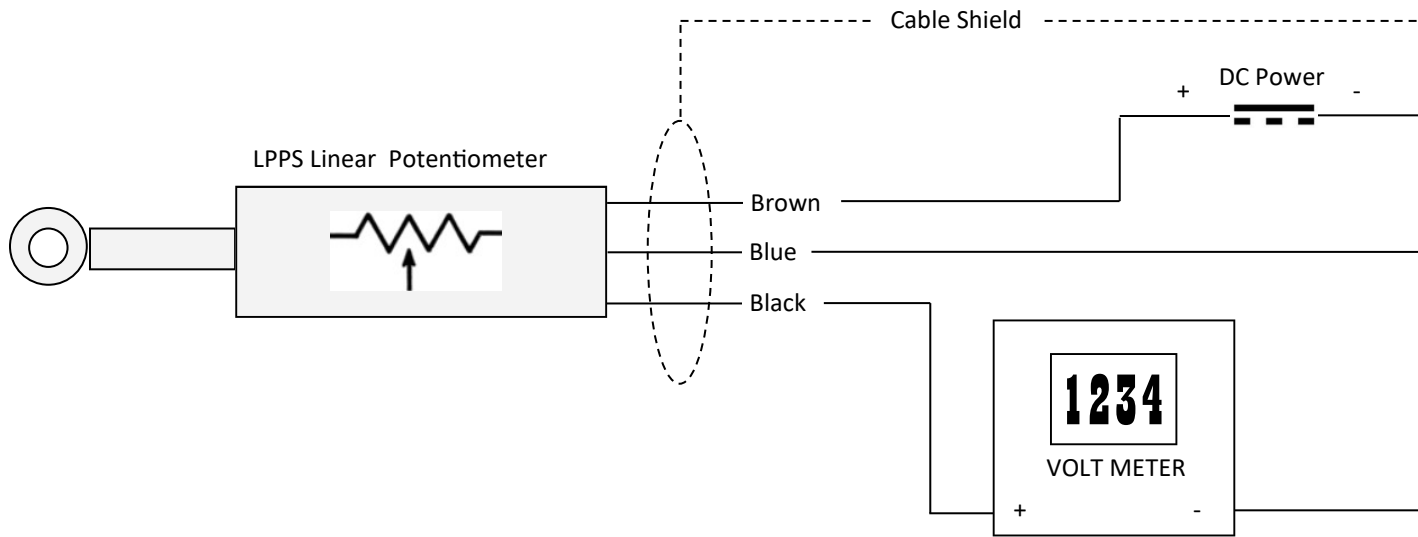
# LPPS Wiring Schematic Examples:

**IMPORTANT !**

**DO NOT CONNECT THE BLACK WIRE TO POWER SUPPLY**

**THIS WILL CAUSE DAMAGE TO THE SENSOR**

## Example #1: Connecting to a Volt Meter



## Example #2: Connecting to a model PMD1XT Series LED Panel Meter

